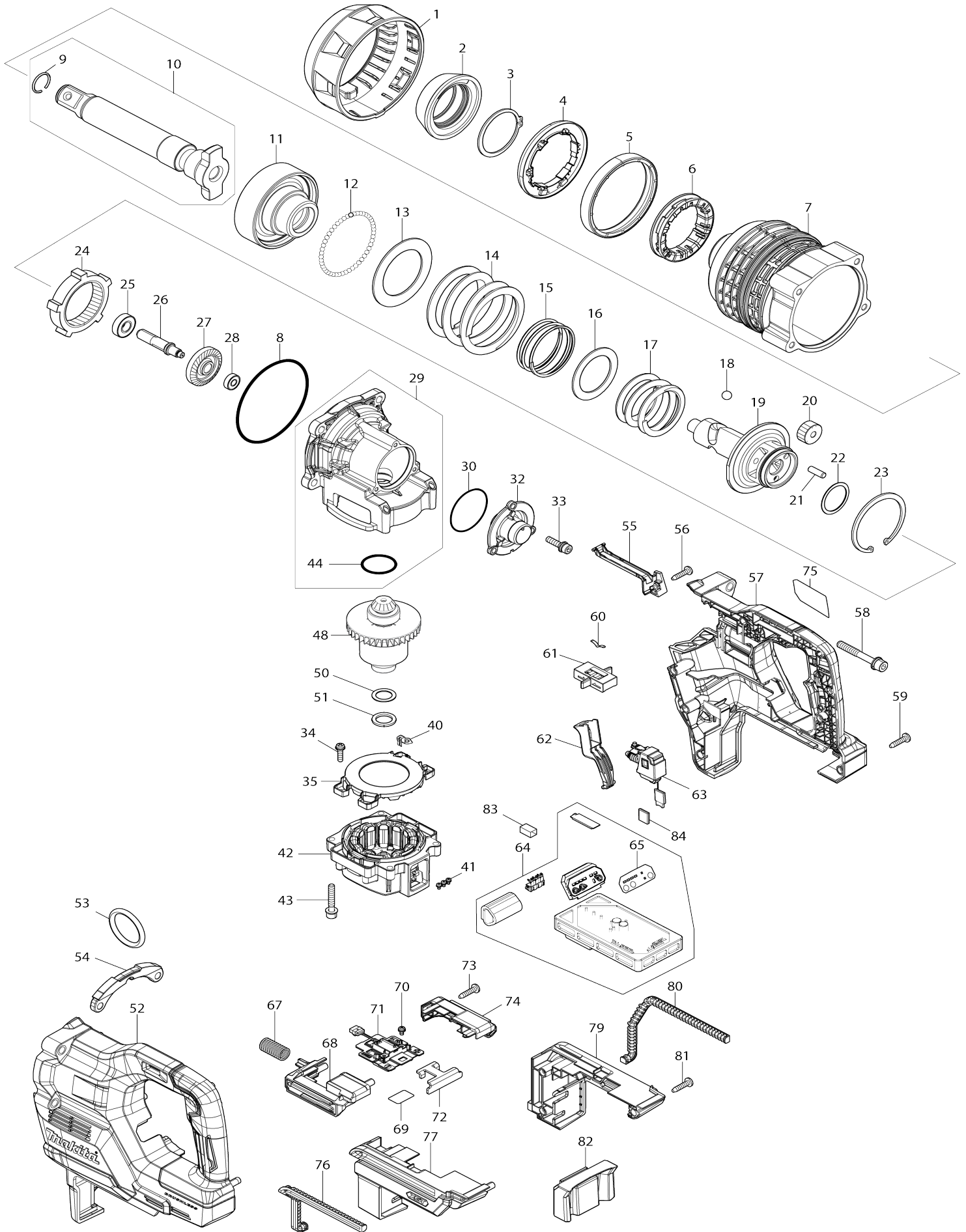


# Model No.TW010G CORDLESS IMPACT WRENCH



Model No.TW010G CORDLESS IMPACT WRENCH

Item No.	Parts No.	Description	Interchangability	Q'ty	New/Old	Note1	Note2
001	422B76-3	Bumper D		1			
002	422B75-5	Bumper C		1			
003	961254-3	Retaining ring (EXT) S-58		1			
004	620P36-5	LED circuit		1			
005	422B71-3	Rubber vibration isolator A		1			
006	422B72-1	Rubber vibration isolator B		1			
007	141W71-7	Hammer case complete		1	*		
007-1	1411R8-8	Hammer case complete	<	1			
008	213914-6	O-ring 100		1			
009	231921-7	Ring spring 22		1			
010	137142-8	Anvil L assembly		1			
010		INC. 9					
011	327D89-0	Hammer		1			
012	216018-3	Steel ball 5.0		49			
013	253609-9	Flat washer 60A		1			
014	232874-3	Compression spring 71		1			
015	232875-1	Compression spring 61		1			
016	253610-4	Flat washer 48		1			
017	232873-5	Compression spring 51		1			
018	216010-9	Steel ball 10.3		2			
019	327D88-2	Spindle		1			
020	227B64-3	Spur gear 24		3			
021	256197-5	Pin 7		3			
022	267039-8	Flat washer 32		1			
023	962352-6	Retaining ring (INT) R-75		1			
024	227B58-8	Internal gear 57		1			
025	211131-2	Ball bearing 6001DDW		1			
026	227B63-5	Spur gear 9		1			
027	227B61-9	Spiral bevel gear 31		1			
028	211021-9	Ball bearing 607LLB		1			
029	137146-0	Internal gear case assembly		1	*		
C10	263002-9	Rubber pin 4		1	*		
029		INC. 44			*		
029-1	137271-7	Internal gear case assembly	O	1	*		
C10	263002-9	Rubber pin 4		1	*		
029-1		INC. 44			*		
029-2	137327-6	Internal gear case assembly	O	1	*		
C10	263002-9	Rubber pin 4		1	*		
029-2		INC. 44			*		
029-3	137351-9	Internal gear case assembly	O	1			
C10	263002-9	Rubber pin 4		1			
029-3		INC. 44					
030	213604-1	O-ring 50		1			
032	137161-4	Bearing cover assembly		1			
C10	263002-9	Rubber pin 4		1			
033	266903-0	Hex. socket head bolt M5X20 WR		3			
034	911128-8	Pan head screw M4X16 WR		4			

035	4130L1-7	Baffle plate		1			
036	4130L0-9	Motor housing inner		1	*		
037	629C72-0	Stator		1	*		
038	620P37-3	Controller B		1	*		
039	687B69-9	Stopper		1	*		
040	654910-9	Earth plate		1			
041	652031-1	Pan head screw M3X6		3	*		
041-1	652077-7	Flat head screw M3X6	O	3			
042	312F54-4	Motor housing		1	*		
042-1	1410X4-2	Motor housing complete	S	1	*		
042-2	1412A8-5	Motor housing complete	<	1	*		
042-3	1413H0-6	MOTOR HOUSING COMPLETE	<	1			
043	265D24-9	Hex. socket head bolt M5X30 WR M		4	*		
043-1	265E69-3	Hex. socket head bolt M5X30 WR M	O	4			
044	213460-9	O-ring 35		1			
048	519860-4	Rotor assembly		1	*		
048-1	519860-4	Rotor assembly	O	1			
050	253198-4	Flat washer 18		1			
051	261129-9	Urethane washer 18		1			
052	1830L3-4	Housing set		1	*		
052		INC. 57			*		
052-1	1831F9-6	Housing set	<	1			
052-1		INC. 57					
053	282022-4	Ring 40		1			
054	162D36-2	Bracket		1			
055	4130L2-5	Lead cover		1	*		
055-1	4133K1-8	Lead cover A	O	1			
056	266326-2	Binding head tapping screw 4X1 8		1			
057	1830L3-4	Housing set		1	*		
057		INC. 52			*		
057-1	1831F9-6	Housing set	<	1			
057-1		INC. 52					
058	265D71-0	Hex. socket head bolt M8X60 WR M		4			
059	266326-2	Binding head tapping screw 4X1 8		12			
060	232872-7	Leaf spring		1			
061	141W75-9	F/R change lever complete		1			
062	4130L3-3	Switch lever		1			
063	141W69-4	Switch complete		1	*		
063-1	1411Y4-5	Switch complete	S	1	*		
064	137160-6	Controller assembly		1	*		
064		INC. 65			*		
064-1	137245-8	Controller assembly	S	1	*		
064-1		INC. 65			*		
064-2	137285-6	Controller unit assembly	S	1			
064-2		INC. 65					
065	8012S9-8	Switch label		1			
066	266490-9	Pan head tapping screw 2X6		3	*		
067	232650-5	Compression spring 13		1			

068	1830L0-0	Battery holder set		1		
C10	263005-3	Rubber pin 6		2		
068		INC. 74				
069	8146J7-4	Serial No. label TW010G		1		
070	652031-1	Pan head screw M3X6		2		
071	632T08-2	Terminal unit		1	*	
071-1	632W79-7	TERMINAL UNIT	<	1		
072	347C62-8	Support plate		1		
073	266326-2	Binding head tapping screw 4X1 8		2		
074	1830L0-0	Battery holder set		1		
C10	263005-3	Rubber pin 6		2		
074		INC. 68				
075	8146J5-8	Name plate TW010G		1		
076	422B69-0	Cushion rubber L		1		
077	1830L1-8	Battery housing set		1		
077		INC. 79				
079	1830L1-8	Battery housing set		1		
079		INC. 77				
080	422B70-5	Cushion rubber R		1		
081	266326-2	Binding head tapping screw 4X1 8		3		
082	422642-4	Cushion rubber		1		
083	685725-3	Sponge		1		
084	424248-4	Sponge sheet 15-25	S	1	*	
A01	122G63-9	Side handle assembly		1		
A02B	821929-5	Plastic case		1		
C10	162271-8	Latch		2		
A03B	412393-7	Battery cover		2		
A04B	***DC40RA	DC40RA FAST CHARGER		1		
A04B		COMPO-PARTS				
A05B	191L47-8	Battery BL4050F set		2		

Please state Parts No. when your order.

Print Date 09/01/2025